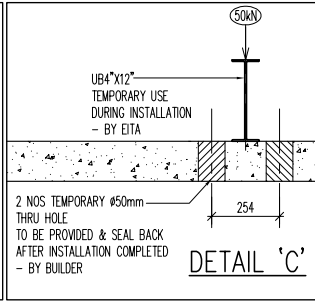
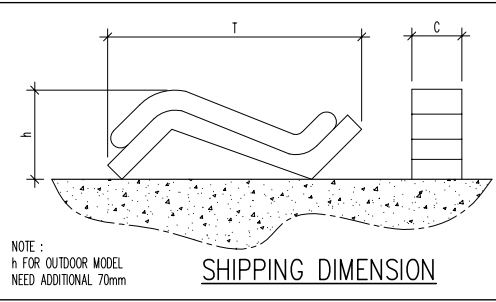
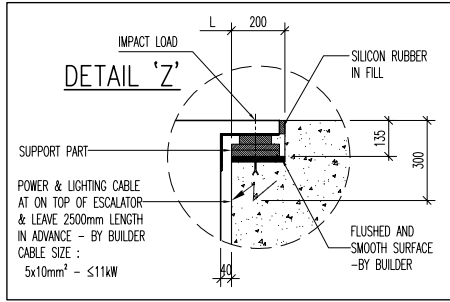
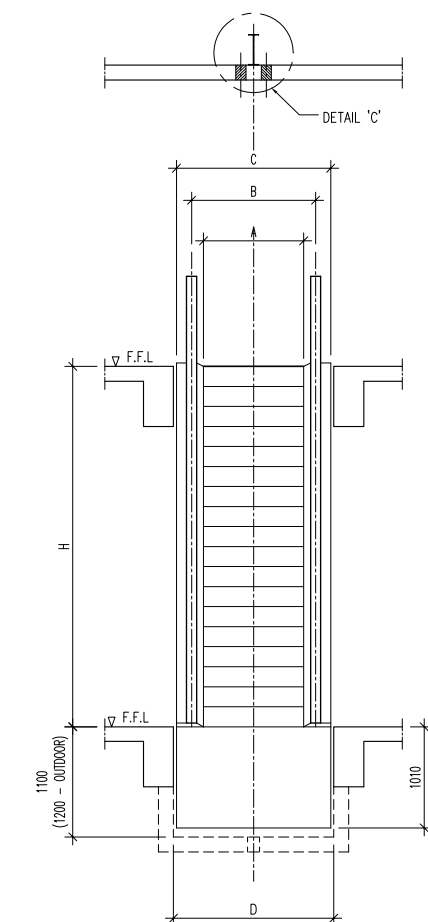
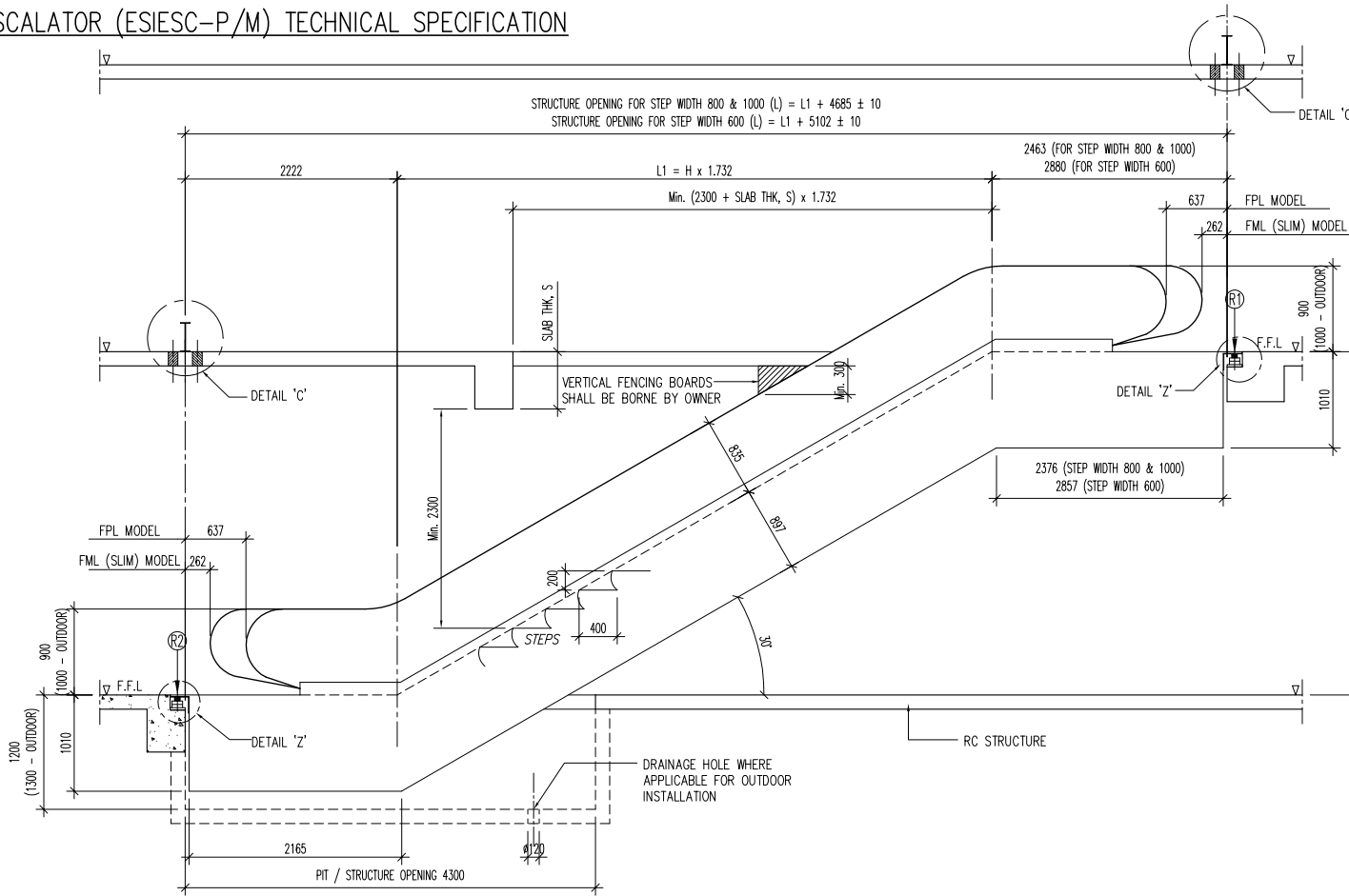


# EITA-Schneider

## 30° ESCALATOR (ESIESC-P/M) TECHNICAL SPECIFICATION



MODEL	FPL30-600 (3600 PEOPLE/HOUR)					FPL30-800 (4800 PEOPLE/HOUR)					FPL30-1000 (6000 PEOPLE/HOUR)					STRUCTURE OPENING (L) ±10		SHIPPING DIMENSION	
	TRAVELLING HEIGHT (mm)	NET WEIGHT (kN)	SUPPORTING LOAD (kN)		MOTOR POWER (kW)	STRUCTURE OPENING (L) ±10	NET WEIGHT (kN)	SUPPORTING LOAD (kN)		MOTOR POWER (kW)	NET WEIGHT (kN)	SUPPORTING LOAD (kN)		MOTOR POWER (kW)					
			R1	R2				R1	R2			R1	R2		R1				
3000	57	46	41	5.5	10298	59	52	47	5.5	63	59	53	5.5	9881	2750	10900			
3500	60	49	44	5.5	11164	63	56	50	5.5	67	64	57	5.5	10747	2780	11890			
4000	64	52	47	5.5	12030	67	60	54	5.5	71	68	61	7.5	11613	2810	12880			
4500	68	56	50	5.5	12896	71	64	57	7.5	75	73	65	7.5	12479	2830	13870			
5000	71	59	53	5.5	13762	74	68	60	7.5	83	79	71	11	13345	2840	14860			
5500	75	62	56	7.5	14628	82	74	66	8	87	84	75	11	14211	2860	15860			
6000	79	65	59	7.5	15498	85	78	69	11	92	88	79	11	15077	2870	16850			

NOTE: WHEN STRUCTURE OPENING (L) IS LONGER THEN (E) AN INTERMEDIATE SUPPORT SHALL BE ADDED AT MIDDLE

### 30° COMMON TYPE/SLIM TYPE ESCALATOR CONSTRUCTION LAYOUT