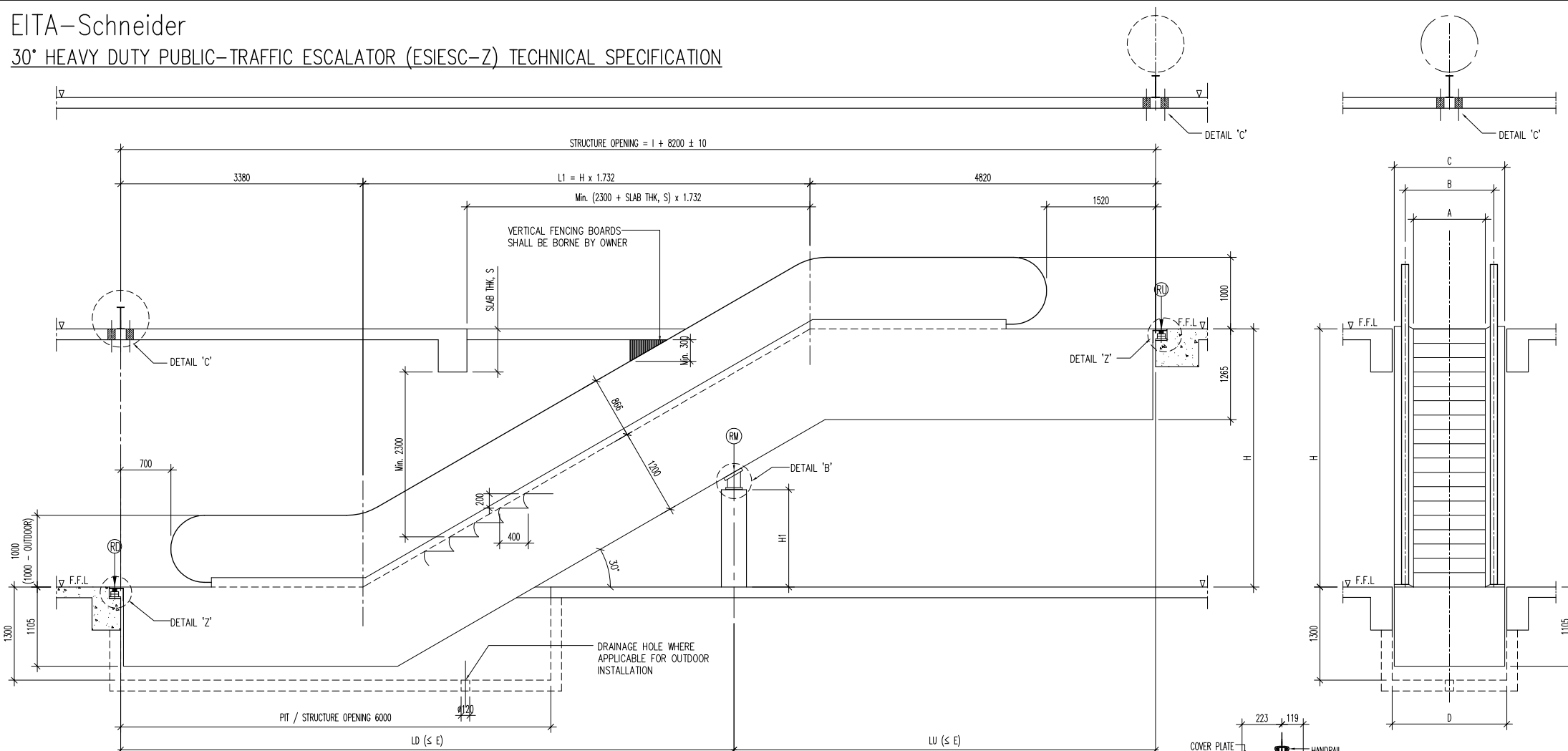


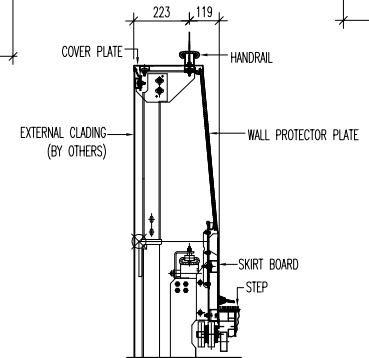
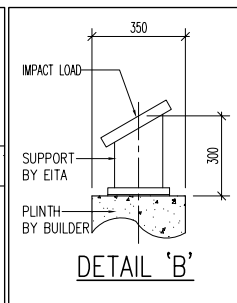
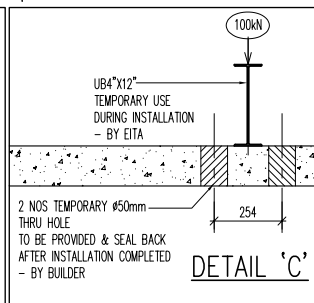
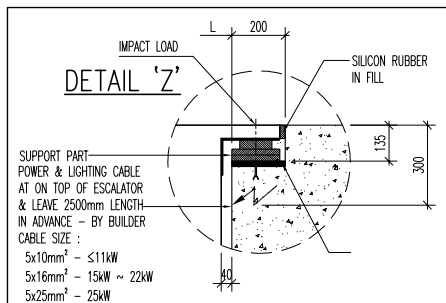
30° HEAVY DUTY PUBLIC-TRAFFIC ESCALATOR (ESIESC-Z) TECHNICAL SPECIFICATION



STEEP WIDTH (mm)	RU (KN)	RM (KN)	RD (KN)
800	4.1LU + 16	6.2L + 3	4.1LD + 4
1000	4.6LU + 16	7L + 3	4.6LD + 4

MODEL	A	B	C	D	E
FZL30-800	800	1038	1340	1400	24900
FZL30-1000	1000	1238	1640	1700	21600

NOTE: E DENOTES THE MAXIMUM DISTANCE BETWEEN TWO SUPPORTING POINTS



MODEL	FZL30-800				FZL30-1000							
	(4800 PEOPLE/HOUR)	(5900 PEOPLE/HOUR)	(6000 PEOPLE/HOUR)	(7300 PEOPLE/HOUR)	(8200 PEOPLE/HOUR)							
SPEED (m/s)	0.5	0.65	0.5	0.65	0.75							
TRAVELLING HEIGHT (mm)	16000	15500	16000	16000	13000	16000	5668	7167	9667	11830	12210	16000
MOTOR KW	15 X 2	15 X 2	18.5 X 2	15 X 2	15 X 2	18.5 X 2	18.5	11 X 2	15 X 2	18.5 X 2	22 X 2	25 X 2